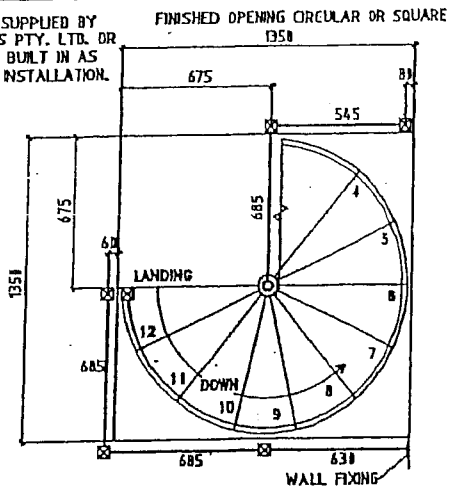
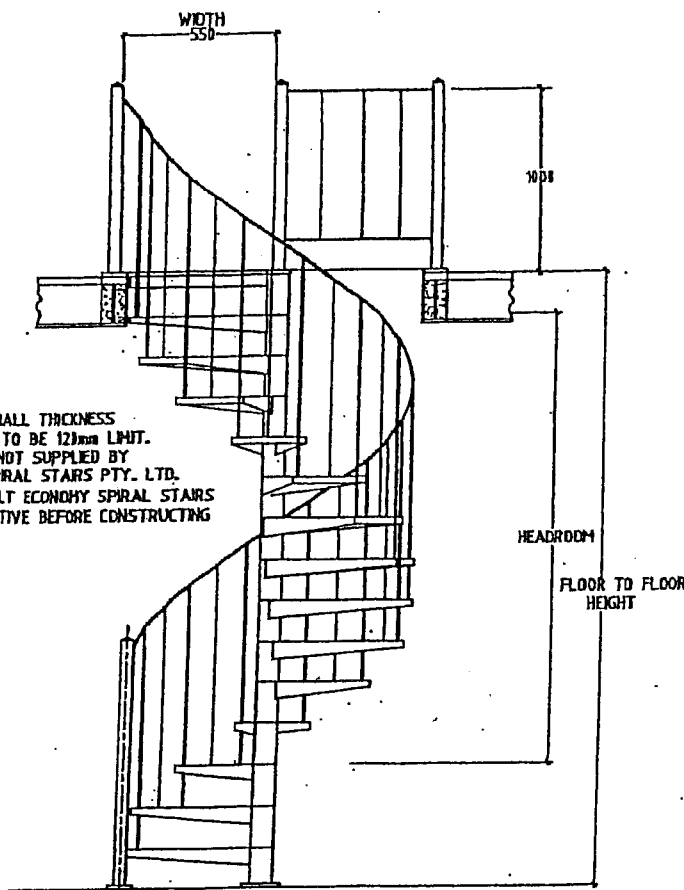


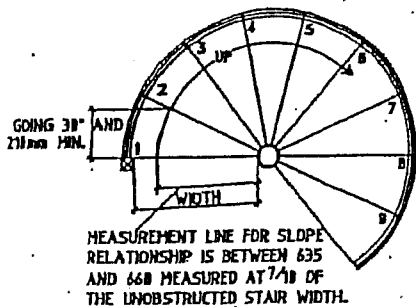
TEEL LANDING SUPPLIED BY CONOHY STAIRS PTY. LTD. OR WBER LANDING BUILT IN AS ART OF STAIR INSTALLATION.



PLAN AT LANDING
STANDARD STAIRWELL AND BALCONY RAILS



NOTE: OVERALL THICKNESS OF LANDING TO BE 120mm LIMIT. IF LANDING NOT SUPPLIED BY ECONOMY SPIRAL STAIRS PTY. LTD. THEN CONSULT ECONOMY SPIRAL STAIRS REPRESENTATIVE BEFORE CONSTRUCTING STAIR WELL.



MEASUREMENT LINE FOR SLOPE RELATIONSHIP IS BETWEEN 635 AND 660 MEASURED AT 7/10 OF THE UNOBSTRUCTED STAIR WIDTH.

PLAN AT BASE
12 TREADS OF 310 IN CIRCLE

Construction Specifications

Stair Components:

Centre Column 114.3 O.D. x 4.3 mild steel pipe.

Steel Treads

4mm mild steel plate. Laser cut and folded to uniform size with 35mm timber tread overlays as standard.

Stair Handrail

Handrail 2ml round
Unbroken PVC

Balusters 19 x 1.6 square tubing with
A maximum spacing of 125

Handrail posts, top and bottom
50 x 50 x 1.6 SHS.

Continuous and un-interrupted handrail is
Provided on one side of the stair with a
minimum height above the tread nosing of 865 mm.

Balcony Railing

End posts 50 x 50 1.6 SHS.

Top rail 40 x 8 mild steel flat with PCV covering.
Bottom rail and infills 19 x 1.6 square tubing.
Balcony rails are at a minimum height of
1000 above floor. Balusters are spaced with a
maximum gap of 120.

Treads

Are uniform in shape and size. Rises are uniform
in height and vary between 205 – 220 according
to site measurement.

Width of stair tread free of obstruction - 535

Stair Geometry.

Stair has rises between 205 – 220

12 steps to a circle at 30°. The going measured
at 7/10ths. of clear width is 210 minimum. The slope
relationship is between 635 and 660.

Stair can be erected clockwise or anti-clock wise
and is mechanically joined on site.

Headroom

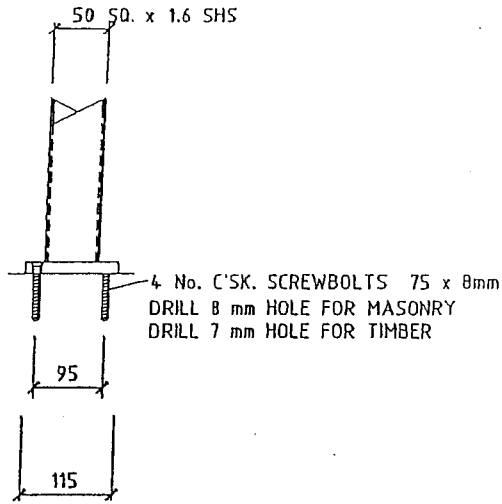
Using standard landing, with timber top. 75mm th
with every 205 riser, clear headroom is 2080
Every 1mm added to riser adds 12mm to headro

Painting

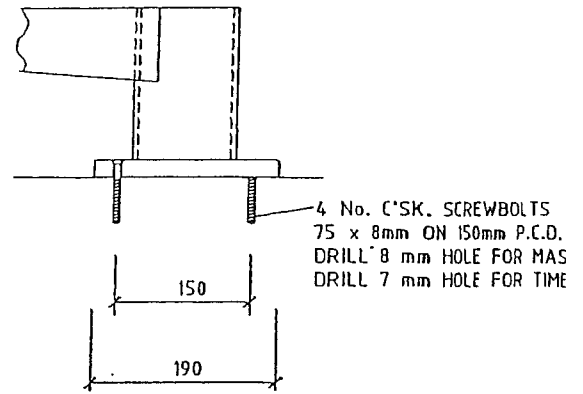
Powder coated choice of 36 colours.

Kit Form: - the stair treads and handrails are in kit form
There is no welding, cutting or grinding required. This
allows for easy installation on any finished floor surface
This system is covered by Registered Design No. 15082
and may not be manufactured or copied without the writ
consent of The Spiralworks.

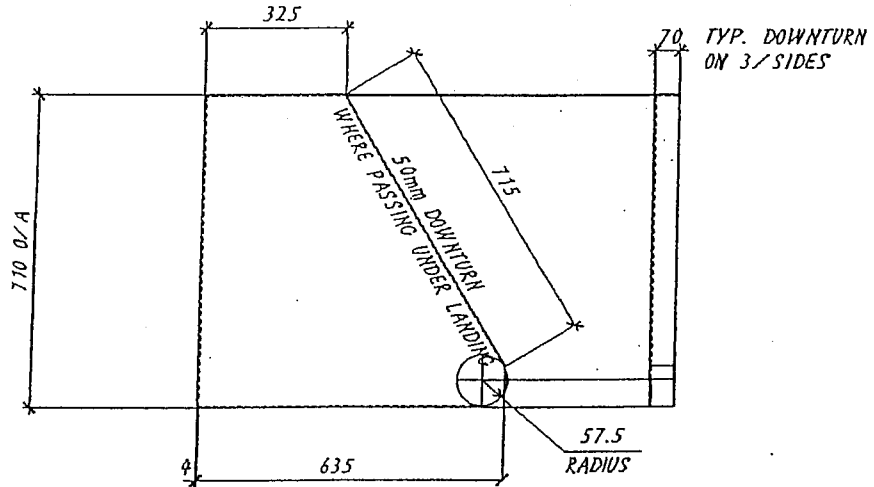
DETAILS OF FIXING



HANDRAIL POST BASE



BASE PLATE



LANDING DETAIL

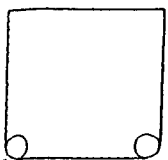
EXAMPLES OF SETOUT

1300 Diameter 205mm to 220mm Riser 12 Treads to circle at 30°

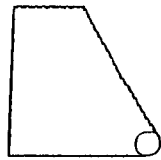
Floor to Floor Height	2630	2850	3070	3290	3510	3730	3950	4170	4390	4610	483
Number of Risers	12	13	14	15	16	17	18	19	20	21	22
Number of Treads	11	12	13	14	15	16	17	18	19	20	21
Going	330	360	390	420	450	480	510	540	570	600	630
12 Steps to circle at 30°											

SOME TYPICAL TOP LANDING EXAMPLES

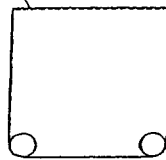
DOTTED LINE DENOTES FIXING FACE



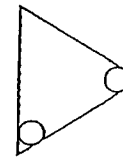
CORNER-SQUARE



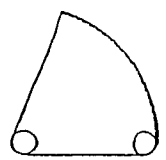
CORNER TRIANGLE



CANTILEVER



BALCONY TRIANGLE



ROUND TRIANGLE