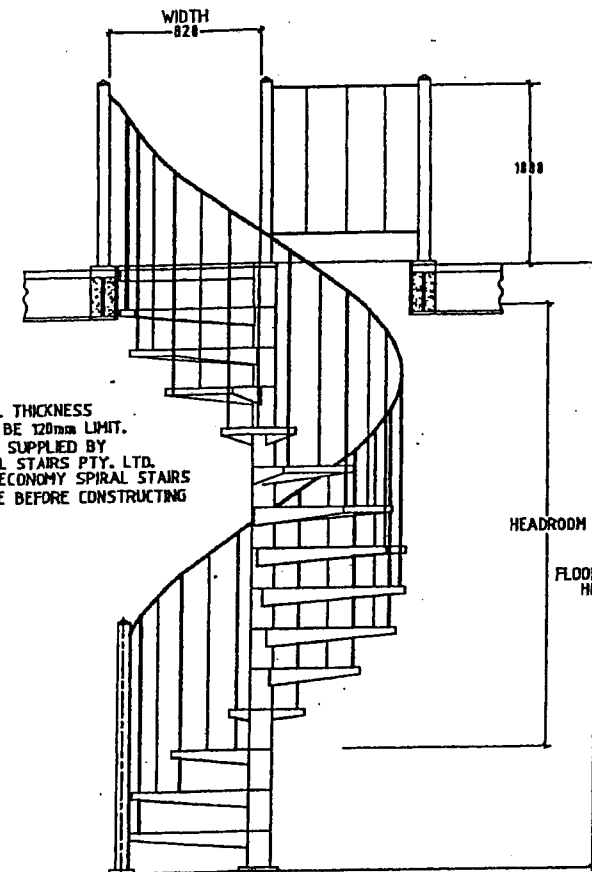
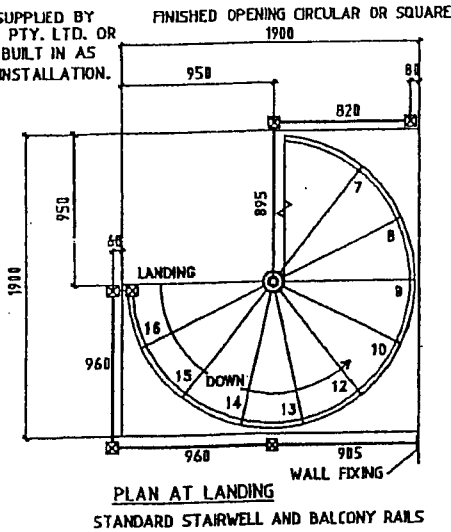
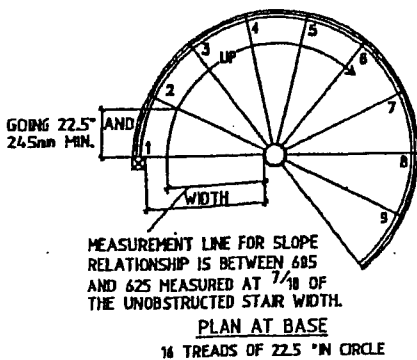


WELL LANDING SUPPLIED BY  
ECONOMY STAIRS PTY. LTD. OR  
OTHER LANDING BUILT IN AS  
PART OF STAIR INSTALLATION.



NOTE: OVERALL THICKNESS  
OF LANDING TO BE 120mm LIMIT.  
IF LANDING NOT SUPPLIED BY  
ECONOMY SPIRAL STAIRS PTY. LTD.  
THEN CONSULT ECONOMY SPIRAL STAIRS  
REPRESENTATIVE BEFORE CONSTRUCTING  
STAIR WELL.



## Construction Specifications

### Stair Components:

**Centre Column** 114.3 O.D. x 4.3 mild steel pipe.

### Steel Treads

4mm mild steel plate. Laser cut and folded to uniform size with 35mm timber tread overlays as standard.

### Stair Handrail

Handrail 32mm round  
Unbroken PVC

Balusters 19 x 1.6 square tubing with  
A maximum spacing of 125  
Handrail posts, top and bottom  
50 x 50 x 1.6 SHS.

Continuous and un-interrupted handrail is  
Provided on one side of the stair with a  
minimum height above the tread nosing of 865 mm.

### Balcony Railing

End posts 50 x 50 1.6 SHS.

Top rail 40 x 8 mild steel flat with PCV covering.  
Bottom rail and infills 19 x 1.6 square tubing.  
Balcony rails are at a minimum height of  
1000 above floor. Balusters are spaced with a  
maximum gap of 120.

### Treads

Are uniform in shape and size. Rises are uniform  
in height and vary between 183 – 195 according  
to site measurement.

Width of stair tread free of obstruction - 820

### Stair Geometry

Stair has rises between 183 – 195

16 steps to a circle at 22.5°. The going measured  
at 7/10ths. of clear width is 210 minimum. The slope  
relationship is between 605 and 625.

Stair can be erected clockwise or anti-clock wise  
and is mechanically joined on site.

### Headroom

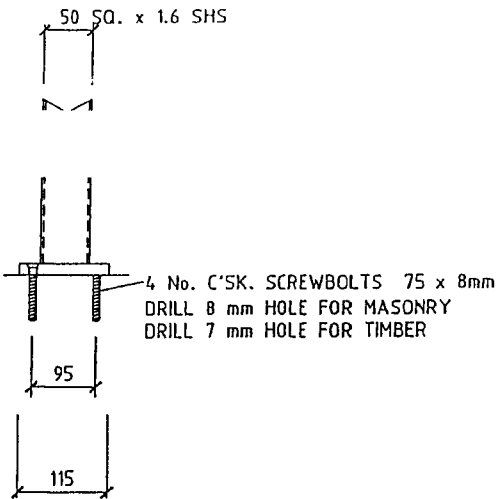
Using standard landing, with timber top 75mm thick  
with every 183 riser, clear headroom is 2060  
Every 1mm added to riser adds 12mm to headroom

### Painting

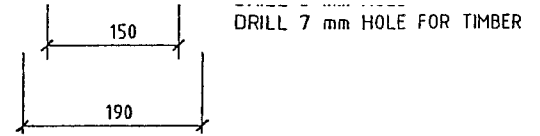
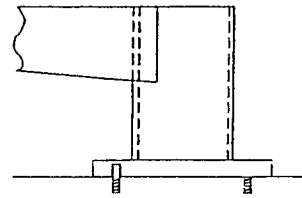
Powder coated choice of 36 colours.

**Kit Form:** - the stair treads and handrails are in kit form.  
There is no welding, cutting or grinding required. This  
allows for easy installation on any finished floor surface.  
This system is covered by Registered Design No. 150823  
and may not be manufactured or copied without the written  
consent of The Spiralworks.

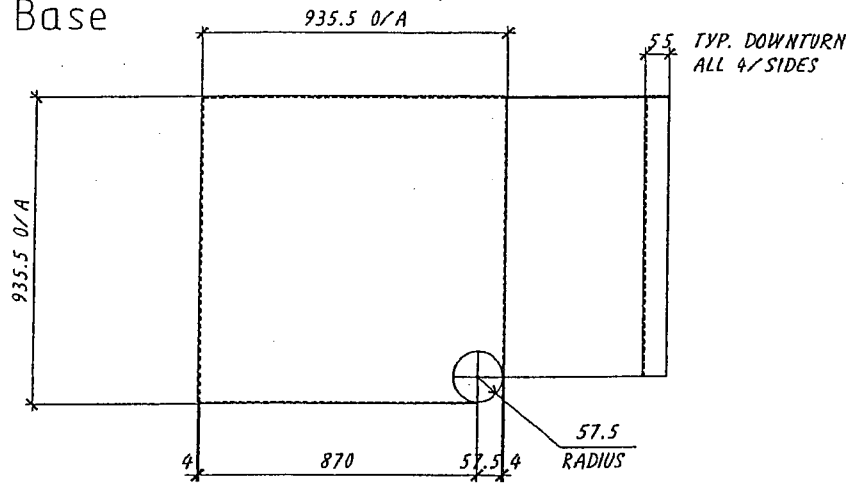
# DETAILS OF FIXING



Handrail Post Base



Base Plate



**LANDING DETAIL**

# EXAMPLES OF SETOUT

1900 Diameter      183mm to 195mm Riser      16 Treads to circle at 22.5°

Floor to Floor Height	2320	2510	2700	2890	3080	3270	3460	3650	3840	4030	4220
Number of Risers	12	13	14	15	16	17	18	19	20	21	22
Number of Treads	11	12	13	14	15	16	17	18	19	20	21
Going	247	270	292	315	337	360	382	405	427	450	472
16 Steps to circle at 22.5°											

## SOME TYPICAL TOP LANDING EXAMPLES

DOTTED LINE DENOTES FIXING FACE

